

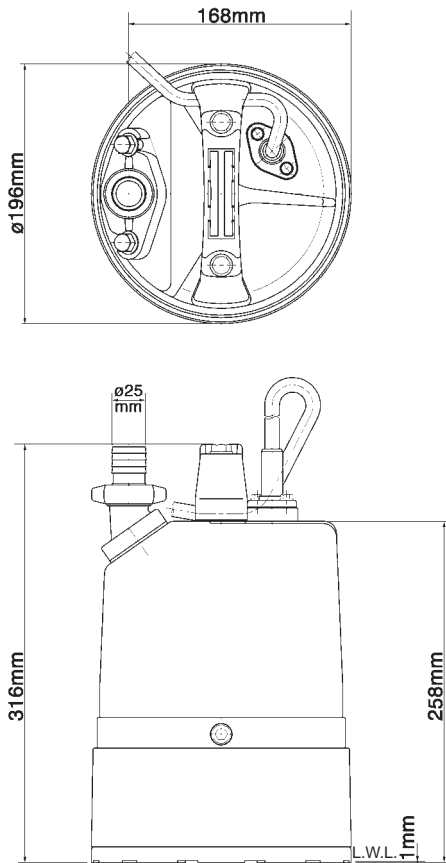


TSURUMI PUMP

LSC1.4S-51/52

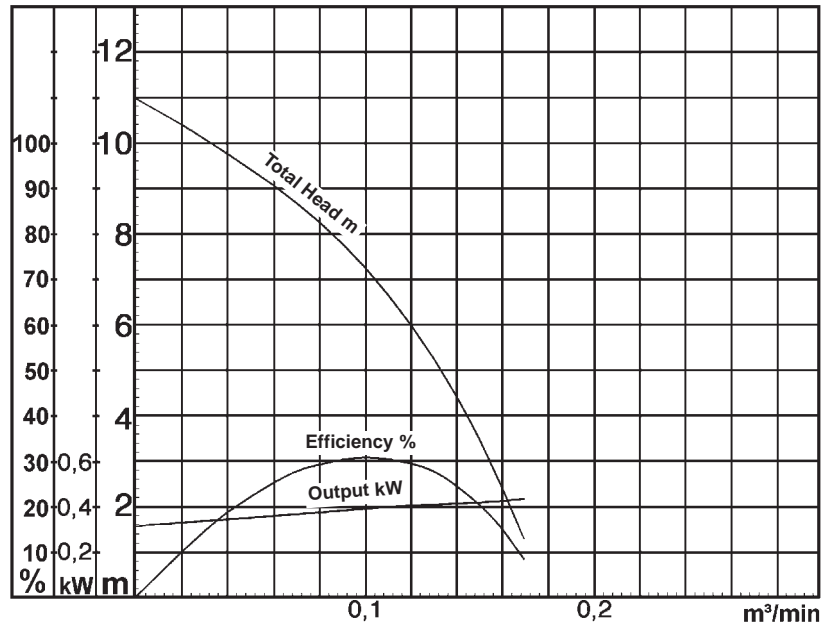
- data sheet
 - parts list
 - exploded view
 - dimensional drawing
 - sectional drawing
 - performance curve
-
- parts list as Excel-spreadsheet

Data Sheet LSC1.4S-51/52



L.W.L. = Lowest running water level

LSC1.4S-51



Classification

Electric submersible pump
 Protection class IP68
 Depth of submersion max. 20m
 Semi-vortex impeller
 Max. solid handling 6mm
 Suitable for cleaning water, water on floor, puddles

Electric Motor

Dry-type submersible induction motor,
 Insulation class E, 2 poles, 2850 r.p.m.
 Capacitor start
 Voltage: 110V/230V, 50Hz, 1-phase
 Power input: 0,59kW
 Power output: 0,48kW
 Nominal current: 6,2A(110V) / 2,9A(230V)
 Start current: 14,2A(110V) / 6,83A(230V)

Electric cable

10m HO7RN-F 3Cx1,5mm² (110V)
 10m HO7RN-F 3Cx1mm² (230V)

Motor Protection

Circle thermal cut-out
 (snap-action bi-metal device)

Shaft Seal

Double mechanical seal in oil bath
 Primary Seal:
 silicon carbide on silicon carbide
 Secondary seal:
 carbon on ceramic

Bearings

Shielded ball bearings, maintenance-free

Materials

Impeller:	Urethane Rubber
Casing:	Ethylene Propylene Rubber
Suction Cover:	Steel plate+Urethane Rubber
Motor frame:	Aluminium die casting
Outer cover:	Steel sheet
Shaft:	SUS403 (EN-X6Cr13)

Discharge Connection

1" (25mm) hose coupling

Weight

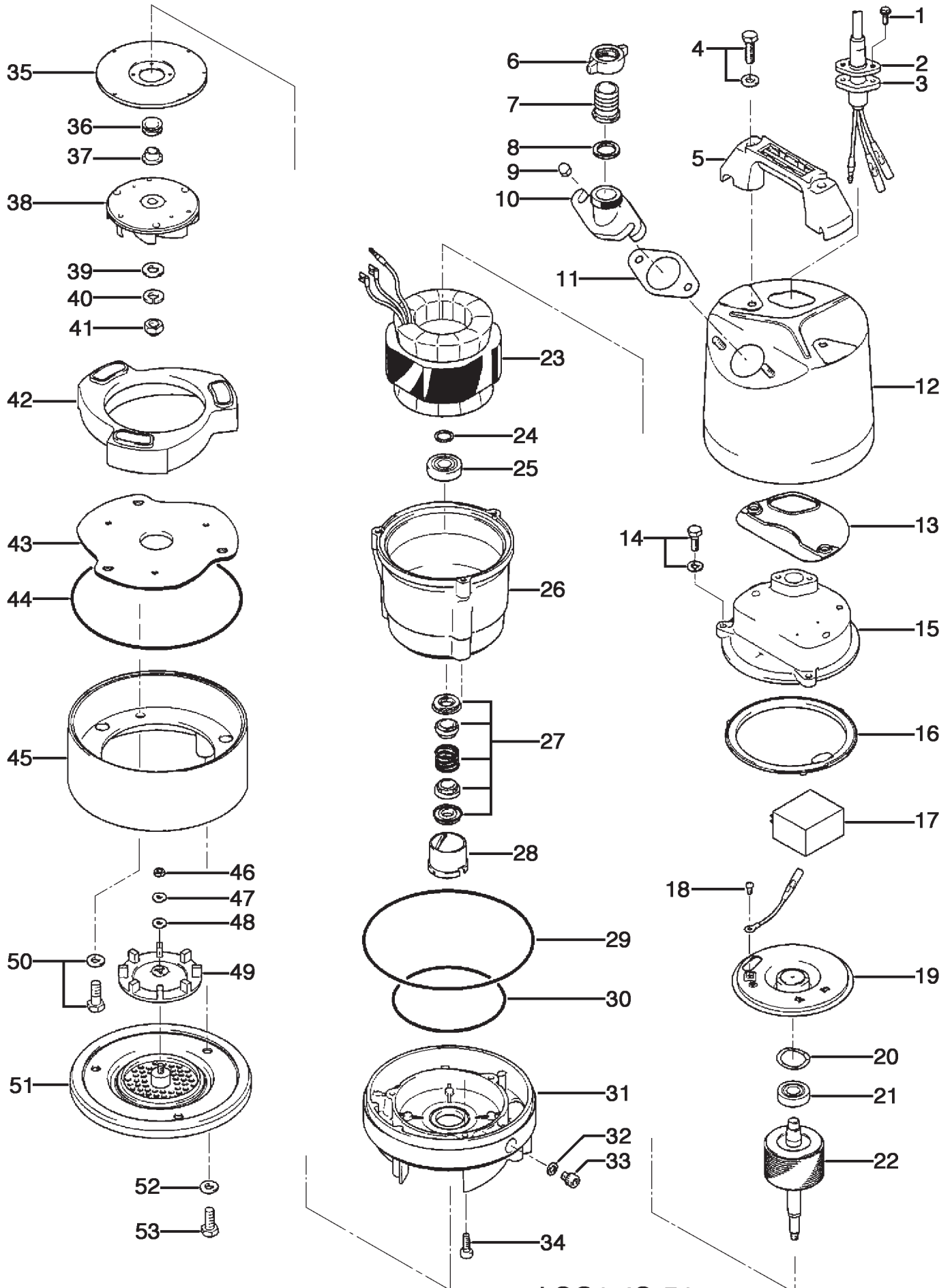
12 kg (dry weight of the pump without cable)

LSC1.4S-51/52

19.06.2006

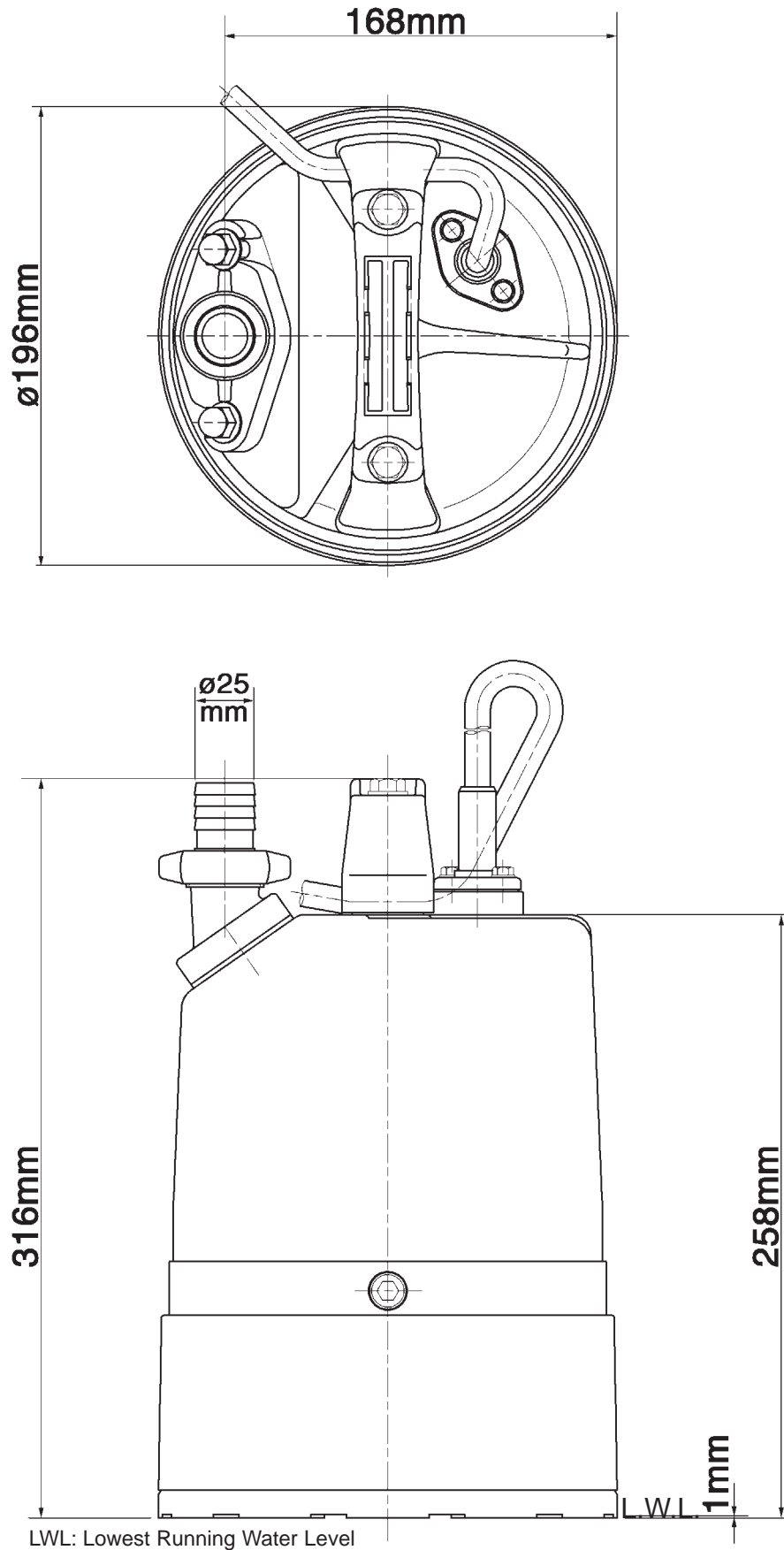
ITEM	CODE No.	DESCRIPTION	Q'TY	SIZE	MATERIAL	REMARKS
1	140-427-17	Hex.Bolt (w/Plain Washer)	2	M5x15	SUS304	
2	003-100-13	Gland	1		SUS304	
3	001-453-18	Cabtyre Cable Set (10m)220/230V-50HZ	1	H07RN3Cx1mm2(CEE-w/plug)	LB(HAR)	230V
3	001-873-18	Cabtyre Cable	10m	H07RN3Cx1.5mm ² (w/o plug)	HAR	110V
3A	061-TEG-01	Cable Repair Kit	1			
4	140-000-13	Hex.Bolt (w/Plain Washer)	2	M8x65	SUS304	
5	068-000-06	Handle	1	LB-250/480-52/62 Type	Resin	
6	128-000-01	Union	1	LSC/LSP type, 25A	ADC12	
7	032-000-20	Hose Coupling	1	LSC/LSP type, 25A	ADC12	
8	121-000-21	Packing	1	LSC/LSP type, 25A	NBR	*
9	141-144-10	Flanged Hex. Nut	2	M8	SUS304	
10	032-000-19	Hose Coupling	1	LSC1.4S-51/61 type	ADC12	
11	121-587-17	Packing	1	LB-250/480-51/61	NBR	*
12	065-000-18	Outer Cover	1	LSC type, Orange (2.5YR5)	SPC	
13	121-434-18	Packing	1	LB3-250/480 Type	Synthetic Rubbt	*
14	140-431-14	Hex.Bolt (w/Plain Washer)	3	M6x25	SUS304	
15	051-282-19	Head Cover	1		ADC	
16	121-546-14	Packing	1	d120xd142x6.2t	NBR	*
17	076-161-18	Capacitor 230V	1			
17	076-159-13	Capacitor 110V	1			
18	143-203-14	Pan Screw	1	M4x5		
19	050-486-12	Motor Bracket	1		SECD	
20	142-451-16	Wave Washer	2	BWW-6201,D=32,T=0.25	SUP	
21	052-100-15	Bearing	1	6201ZZC3		
22	055-000-29	Rotor	1 set	w/Bearing		
23	056-C70-19	Stator 230V/50Hz	1 set			
23	056-C67-13	Stator 110V/50Hz	1 set			
24	061-180-17	Bearing Collar	1		SS	
25	052-101-16	Bearing	1	6202ZZC3		
26	064-508-14	Motor Frame	1		ADC	
27	025-291-10	Mechanical Seal	1	V-14VL	SiC+CCBN	Oil ISO VG22 (155ml)
28	030-000-09	Oil Lifter	1	W-14VC	Resin	
29	122-453-16	O-Ring	1	172xd2.7	NBR	*
30	122-133-17	O-Ring	1	G-110	NBR	*
31	029-000-70	Oil Casing	1	LB-250/480-51/61 Type	ADC	
32	121-246-11	Packing	1	d10.3xd16x2t	PE	*
33	035-124-12	Oil Plug	1	M10x15	SUS304	
34	140-252-19	Hex. Socket Cap Bolt	3	M6x20	SUS304	
35	031-000-12	Wear Ring	1	LB-250/480-51/61 Type	SPC+Rubber	
36	122-441-11	V-Ring	1	VR-14	NBR	
37	071-292-14	Shaft Sleeve	1	LB3-250/480 Type	SUS304	
38	021-005-27	Impeller (50Hz)	1	LSC1.4S-51 (For 50Hz)	Urethane Rubber	
38	021-008-28	Impeller (60Hz)	1	LSC1.4S-61 (For 60Hz)	Uerthane Rubber	
39	142-127-10	Plain Washer	1	M8	SUS304	
40	142-163-18	Spring Washer	1	M8	SUS304	
41	141-030-12	Hex.Cap Nut	1	M8	SUS304	
42	020-B89-19	Pump Casing	1	LB-250/480-51/61 Type	Uerthane Rubber	
43	022-001-27	Suction Cover	1	LB-250/480-51/61 Type	SPC+Rubber	
44	122-453-16	O-Ring	1	172xp2.7	NBR	*
45	023-000-52	Stand	1	LSC1.4S-51/61 type	ADC	
46	141-004-17	Hex. Nut	1	M6	SUS304	
47	142-229-13	Plain Washer	1	M6(D=16)	SUS304	
48	121-266-17	Packing	1	d6xd16x1t	NBR	*
49	203-015-16	Swing Check Valve	1	LSC-4 type	SBR	
50	140-477-12	Hex. Bolt (w/plain washer)	3	M8x30	SUS304	
51	049-000-09	Bottom Plate	1	LSC1.4S-51/61 type	SPC+NBR	
52	142-222-16	Seal Washer	3	WF-8	SPC+NBR	
53	140-054-19	Hex. Bolt	3	M8x20	SUS304	
		<Packing O-Ring Set>				
	173-000-40	Packing O-Ring Set	1set	(*)		

Exploded View LSC1.4S-51/52



LSC1.4S-51

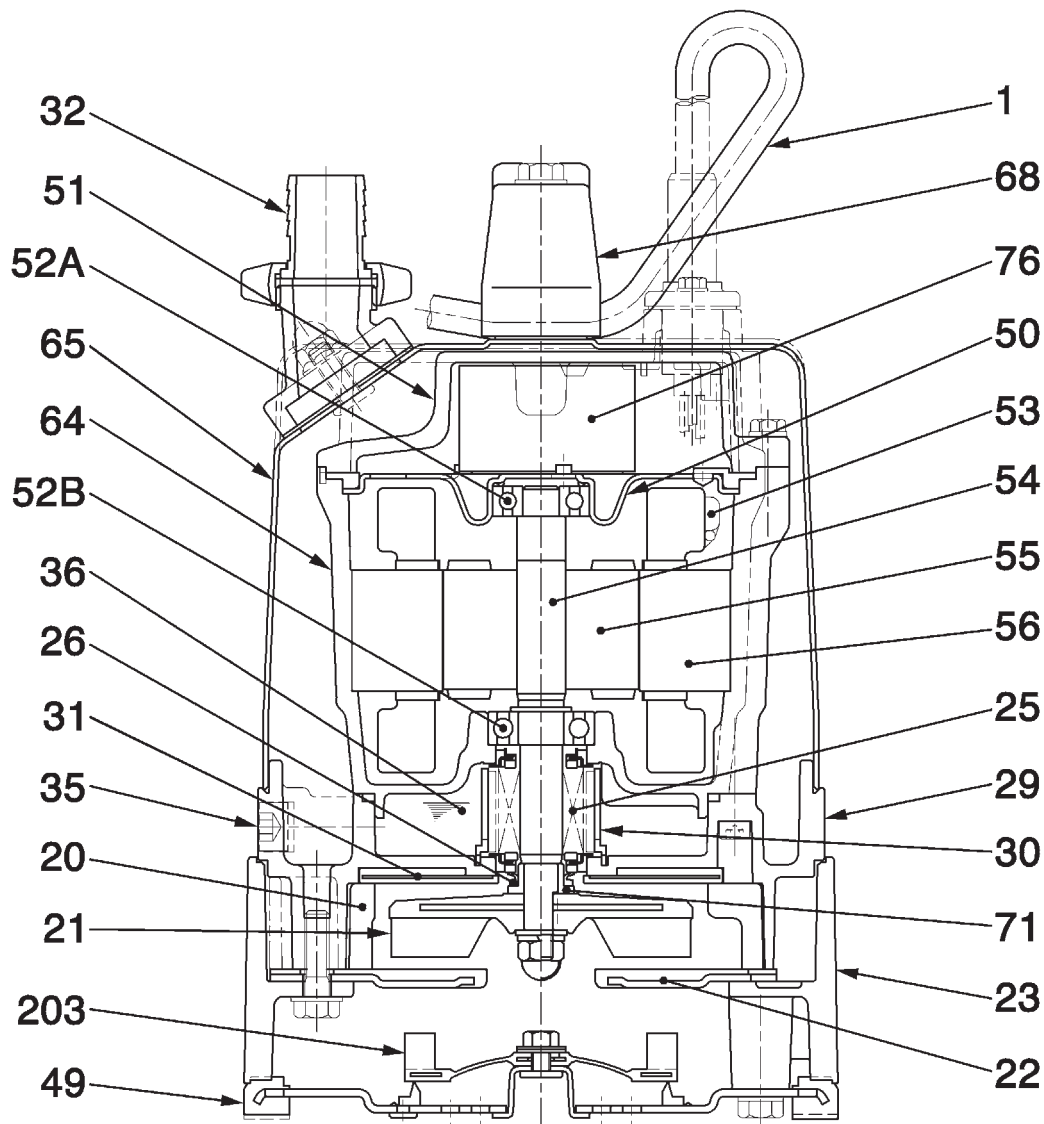
Dimensional Drawing LSC1.4S-51/52



LSC1.4S-51

Sectional Drawing

LSC1.4S-51/52



LSC1.4S-51

No.	Description	Qty.	Remarks	No.	Description	Qty.	Remarks
1	Cabtyre Cable	1	H07RN-F	50	Motor Bracket	1	Steel Sheet
20	Pump Casing	1	Ethylene Propylene Rubber	51	Motor Head Cover	1	Aluminium Die Casting
21	Impeller	1	Urethane Rubber	52A	Upper Bearing	1	6201ZZC3
22	Suction Cover	1	Steel Plate+Urethane Rubber	52B	Lower Bearing	1	6202ZZC3
23	Stand	1	Aluminium Die Casting	53	Motor Protector	1	
25	Mechanical Seal	1	Silicon Carbide, W-14VC	54	Shaft	1	SUS403 (EN-X6Cr13)
26	V-Ring	1	Nitril Butadiene Rubber	55	Rotor	1	
29	Oil Casing	1	Aluminium Die Casting	56	Stator Complete	1	
30	Oil Lifter	1	Plastic	64	Motor Frame	1	Aluminium Die Casting
31	Wearing Plate	1	Urethane Rubber	65	Outer Cover	1	Steel Sheet
32	Hose Coupling	1	Aluminium Die Casting	68	Handle	1	Plastic
35	Oil Plug	1	SUS304 (EN-X5CrNi18-10)	71	Shaft Sleeve	1	SUS304 (EN-X5CrNi18-10)
36	Lubricant		Turbine Oil (ISO VG32)	76	Capacitor	1	
49	Bottom Plate	1	Steel Sheet+Nitrile Butadiene Rubber	203	Check Valve	1	Styrene Butadiene Rubber

Pump Performance Curve

LSC1.4S-51/52

Discharge Bore	25 mm
Total Head	max. 11 m
Capacity	max. 0,16 m ³ /min
Motor Output	0,48 kW
Motor Input	0,59 kW
Phase	1
Voltage	110/230 V
Frequency	50 Hz
Rated Current	6,2/2,9 A
Starting Current	14,2/6,83 A
Poles	2
Revolution	S.S. 2850 r.p.m.
Starting Method	Capacitor
Insulation Class	E

