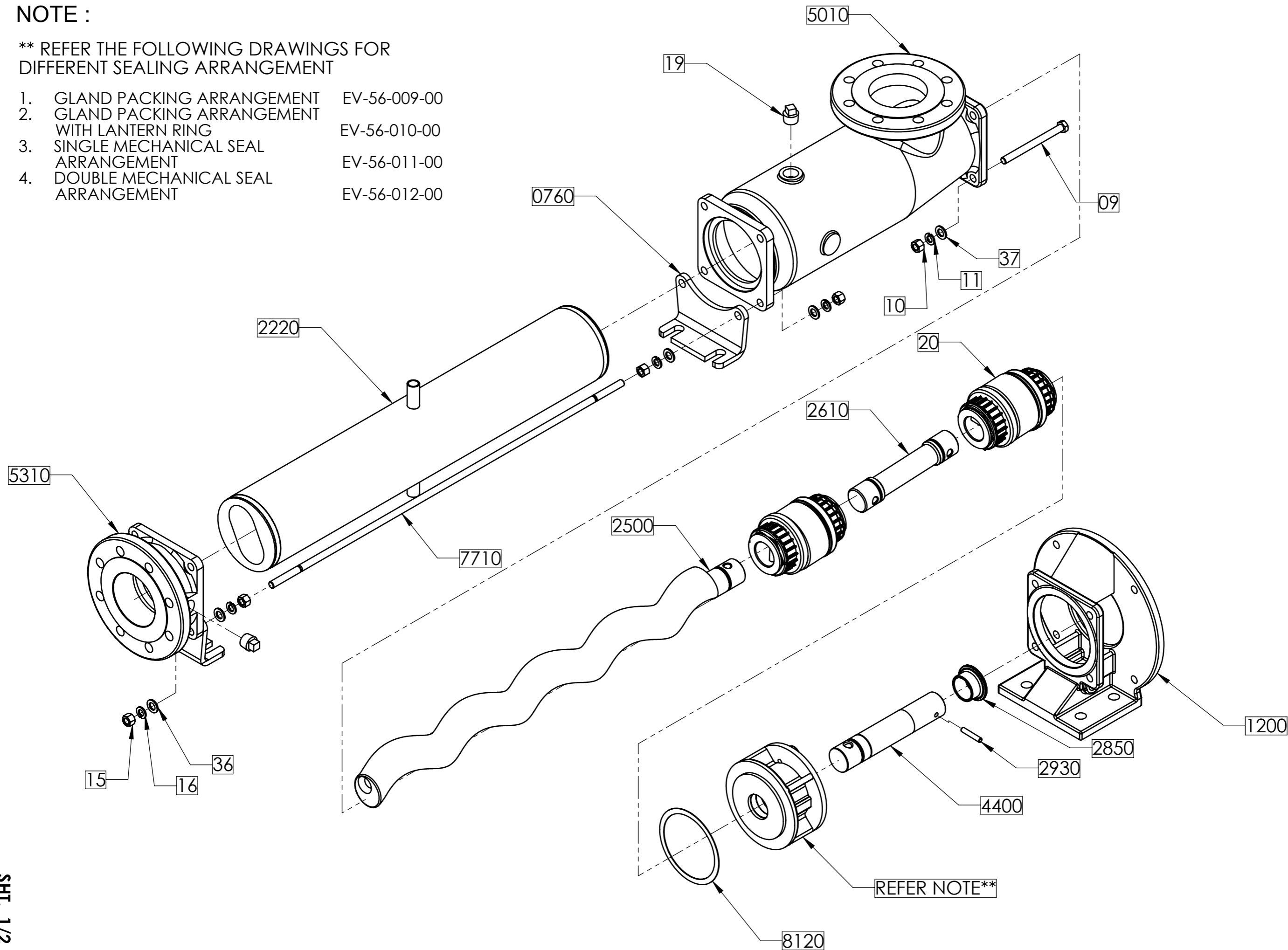


NOTE :

** REFER THE FOLLOWING DRAWINGS FOR DIFFERENT SEALING ARRANGEMENT

- | | | |
|----|---|--------------|
| 1. | GLAND PACKING ARRANGEMENT | EV-56-009-00 |
| 2. | GLAND PACKING ARRANGEMENT WITH LANTERN RING | EV-56-010-00 |
| 3. | SINGLE MECHANICAL SEAL ARRANGEMENT | EV-56-011-00 |
| 4. | DOUBLE MECHANICAL SEAL ARRANGEMENT | EV-56-012-00 |





EXPLODED VIEW OF RMCA 642/661/662/701 PUMPS

DRG. NO.
EV-35-010-00

PART NO.	DISCRIPTION	QTY.
8120	STUFFING BOX GASKET	1
7710	TIE ROD	4
**7500	GLAND PACKING	6
**5810	STUFFING BOX	1
**5410	GLAND	1
5310	STRAIGHT THROUGH END COVER	1
5010	PUMP HOUSING	1
4400	STUB SHAFT	1
2930	DOWEL PIN	1
2850	PIN RETAINER	1
2610	COUPLING ROD	1
2500	ROTOR	1
2220	BONDED STATOR	1
1200	PUMP LANTERN	1
0760	FOOT	2
37	PUNCHED WASHER	4
36	PUNCHED WASHER	12
20	UJ	2
19	TAPER PLUG	3
16	SPRING WASHER	12
15	HEX NUT	12
11	SPRING WASHER	4
10	HEX NUT	4
09	HEX HD. BOLT	4
**08	HEX NUT	2
**07	STUD	2